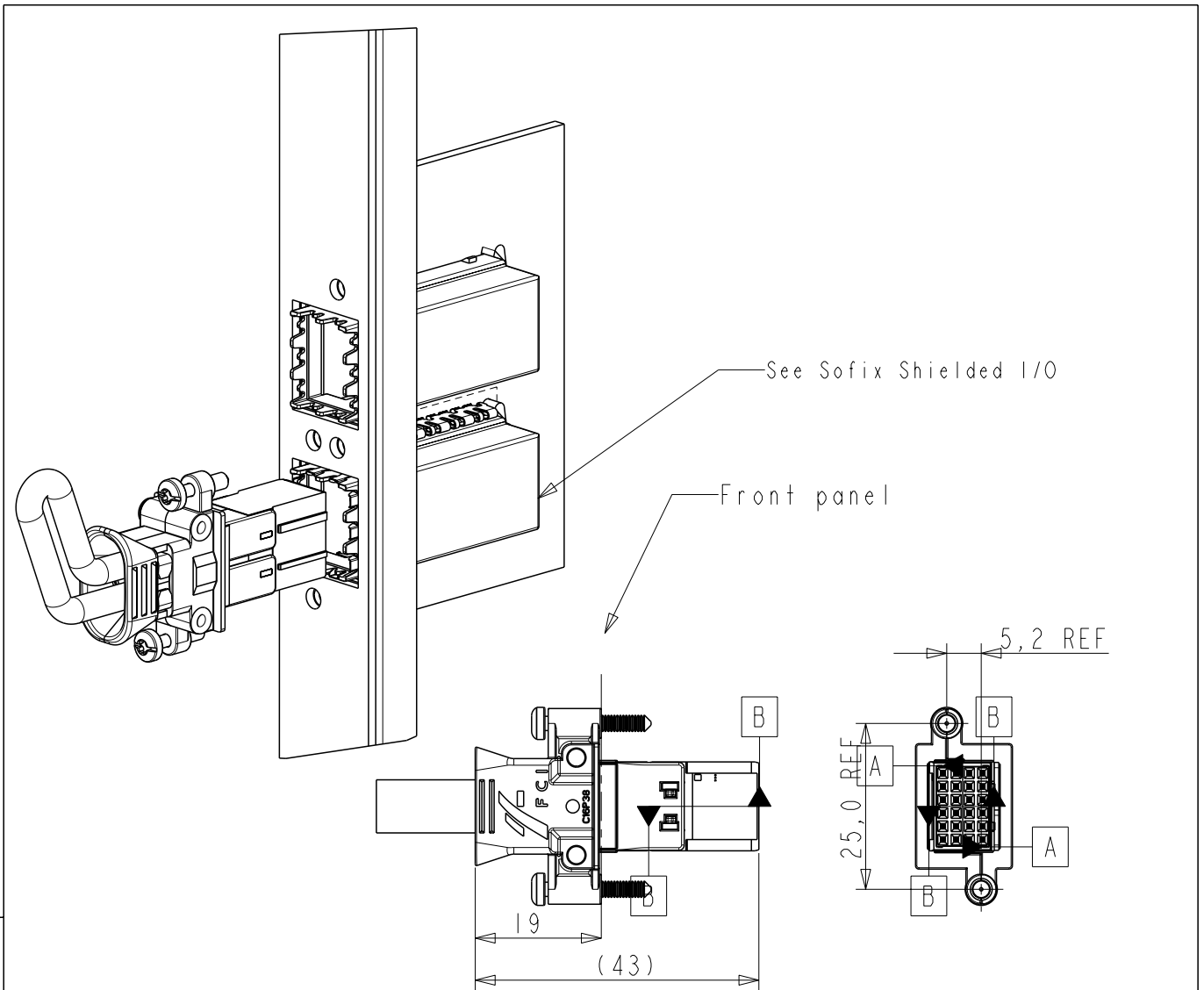




Copyright FCI.



- MATERIAL**
- 1 TERMINAL BLOCK.... 30% GLASS FILLED POLYESTER
  - 2 SHROUD..... 30% GLASS FILLED POLYAMIDE  
FLAME RETARDANT ACC. TO UL-94
  - 3 COVER..... ZINC ALLOY
  - 4 TERMINAL..... TINBRONZE
  - 5 FERRULE..... TINBRONZE
  - 6 SCREW..... STEEL
  - 7 RIVET..... BRASS

PRODUCT SPECIFICATION: GS-12-308  
 PACKAGING SPECIFICATION: EUR-14-008  
 APPLICATION SPECIFICATION: GS-20-050

**8-ROHS INFORMATIONS:**

-This product meets European Union Directives and other country regulations as described in GS-22-008.

-Packaging spec: see GS-14-920.

rev	ecn no	dr	date
B	B20196	PC	2002/11/29
C	LS4129	JTA	2004/12/15
D	LS05-0015	JTA	2005/01/21
E	LS06-0143	LGO	2006/09/25
F	LS07-0255	JTA	2007/11/12
-	-	-	-
-	-	-	-



Performance level	
HMIC16D-J110EBLF	Customer Special
HMIC16D-J110N9LF	Standard Product

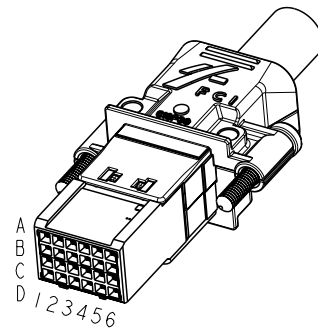
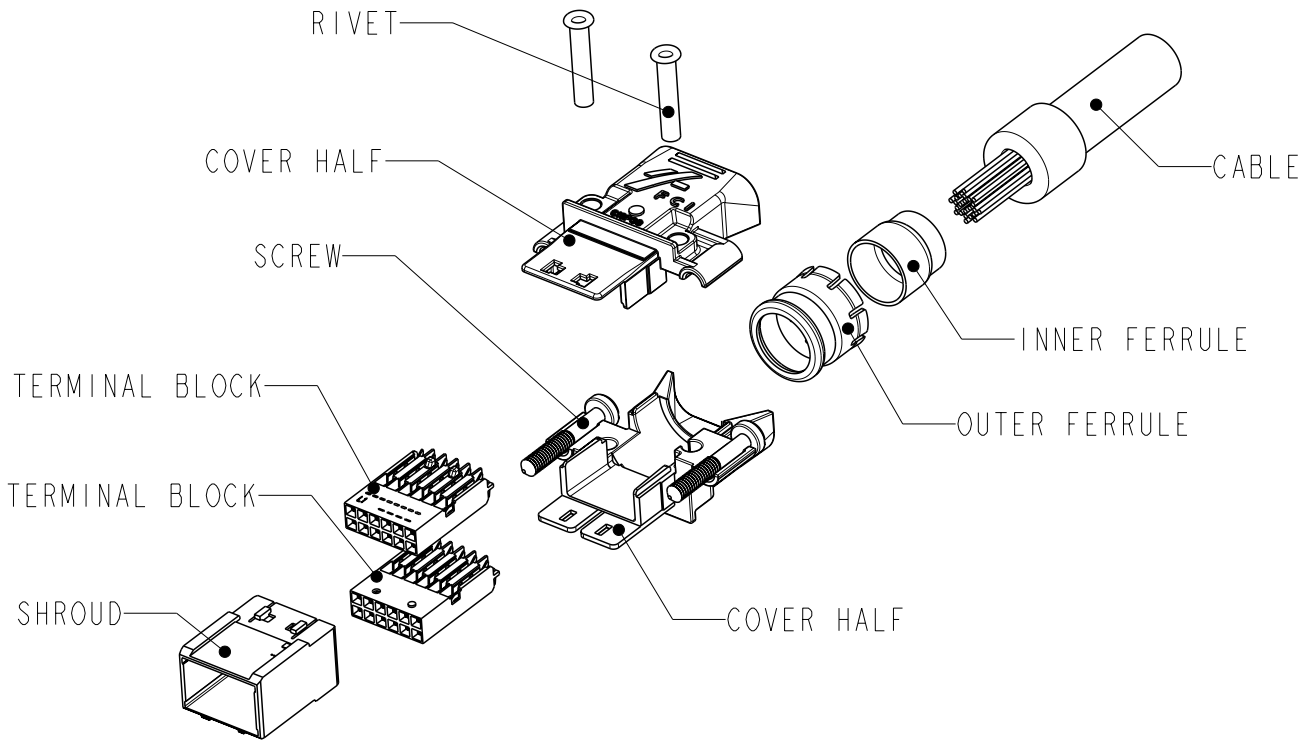
www.fciconnect.com		surface - ✓ ISO 1302	tolerance std ISO 406 ISO 1101	projection 	mm ↔
TOLERANCES UNLESS OTHERWISE SPECIFIED					
Dr	P. Claes	2002/11/29	ANGULAR	0.X	±0.3
Eng	P. Claes	2002/11/29	LINEAR	0.XX	±0.1
Chr	W. Panis	2002/11/29	0° ±2°	0.XXX	±0.05
Appr	W. Panis	2002/11/29	Product family	METRAL SOFIX	Spec ref RELEASED
	title SHIELDED CABLE CONNECTOR, 24 POS - IDC			dwg no	BSA202877001_C
catalog no			SEE TABLE	customer	sheet 1 of 3
					Rev. F

REV F - 2006-04-17

PDM: Rev:F

STATUS Released

Printed: Apr 17, 2008



INNER FERRULES (to be ordered separately)	Approved cables	Maximum External Ø Cable
-	4 PAIRS, 26 AWG CONDUCTOR DIA: 0.4 mm	8.85
-	12 PAIRS, 26 AWG CONDUCTOR DIA: 0.4 mm	6.60
-	4 CONDUCTORS, 26 AWG CONDUCTOR DIA: 0.4 mm	5.60
-	4 PAIRS, 26 AWG CONDUCTOR DIA: 0.4 mm	4.9
-	4 PAIRS, 26 AWG CONDUCTOR DIA: 0.4 mm	7.85
-	12X2 PAIRS, 26 AWG CONDUCTOR DIA: 0.4 mm	
-	8 PAIRS, 26 AWG CONDUCTOR DIA: 0.4 mm	7.0



Copyright FCI.

www.fciconnect.com			surface - ✓ ISO 1302	tolerance std ISO 406 ISO 1101	projection mm	mm ↔	
			TOLERANCES UNLESS OTHERWISE SPECIFIED			size A4	
Dr	P. Claes	2002/11/29	ANGULAR	LINEAR	0.X	±0.3	Scale 1/1
Eng	P. Claes	2002/11/29			0.XX	±0.1	
Chr	W. Panis	2002/11/29	0° ±°		0.XXX	±0.05	ECN LS07-0255
Appr	W. Panis	2002/11/29	Product family METRAL SOFIX		Spec ref RELEASED		
		title SHIELDED CABLE CONNECTOR, 24 POS - IDC			dwg no BSA202877001_C		Rev. F
catalog no		SEE TABLE			customer		sheet 2 of 3

REV F - 2006-04-17

PDM: Rev:F

STATUS Released


Printed: Apr 17, 2008

LEAD-FREE PRODUCTS: (see note 8)

Kit: HMIC16D-J110XXLF	
COMPONENTS	QTY
SHROUD	1
COVER HALF	1
COVER HALF	1
RIVET	2
SCREW	2
TERMINAL BLOCK LEFT	1
TERMINAL BLOCK RIGHT	1
OUTER FERRULE	1


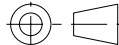
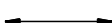



Dimension with oval around are critical dimensions including any attached geometrical tolerance. Other features or stand-alone geometrical tolerances being critical have a note "CRITICAL FEATURE" below the item

A symbol  (x: drawing current revision) will be next to any dimension, view or note which has been modified with the current drawing revision



Copyright FCI.

www.fciconnect.com			surface -  ISO 1302		tolerance std ISO 406 ISO 1101		projection 		mm 		
			TOLERANCES UNLESS OTHERWISE SPECIFIED								
Dr	P. Claes	2002/11/29	ANGULAR	LINEAR	0.X	±0.3	size A4	Scale 1/1			
Eng	P. Claes	2002/11/29			0.XX	±0.1					
Chr	W. Panis	2002/11/29	0°	±°	0.XXX	±0.05	ECN		LS07-0255		
Appr	W. Panis	2002/11/29	Product family			METRAL SOFIX		Spec ref		RELEASED	
		title SHIELDED CABLE CONNECTOR, 24 POS - IDC				dwg no BSA202877001_C			Rev. F		
catalog no				SEE TABLE			customer		sheet 3 of 3		

REV F - 2006-04-17